



Qompact
Roller Shutters





Alulux Qompact roller shutters provide a complete system that increases security, prevents break-ins and protects against the elements. The very small roller shutter box measuring just 16.5 cm at an element height of 2.60 m enables elegant solutions.

Indoor use is also possible: Qompact roller shutters are mainly used outdoors but are also increasingly applied indoors. In this case, the system is installed indoors directly behind the inner lintel or wall opening as burglary and entry protection. Indoor assembly thus provides users with additional protection within premises.

Unobtrusive

The roller shutter box is considerably smaller than many boxes available on the market and is made fully of extruded aluminium.

Optimum security

Qompact roller shutters are the ideal burglary system for front and basement doors and windows.

Variable

Depending on the customer's requirements, Alulux Qompact roller shutters can be equipped with punched or unpunched roller shutter profiles. Furthermore, three box types are available.

Robust

The single-skinned aluminium profile is extremely robust as it is extruded. This increases burglary protection and protects against extreme weather conditions.

Product service life

All roller shutter components are designed for long service life with minimum maintenance.

Colours

Alulux roller shutters can be individually powder coated to match the colour of the facade.

Available standard colours

RAL 9016	RAL 9006	RAL 7016
----------	----------	----------

Traffic white RAL 9016, White aluminium RAL 9006, Anthracite grey RAL 7016. Special colours in RAL for an extra charge.

Box types

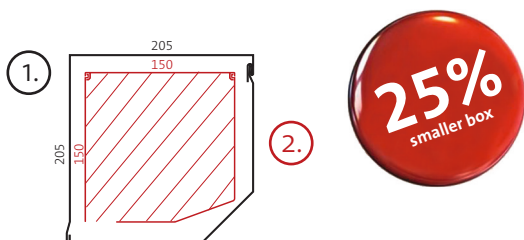


Box sizes = element heights with aluminium Q profile

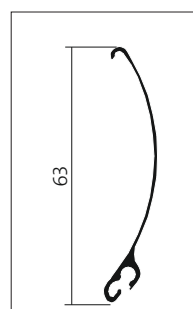
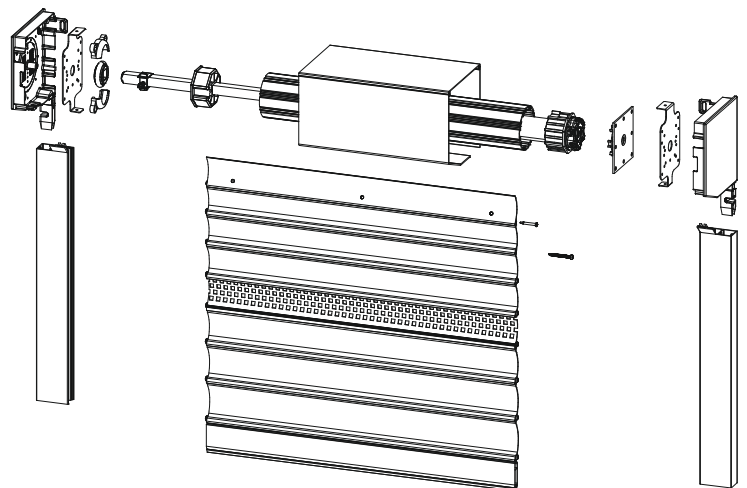
Box size 150 mm	=	Element height 2.10 m
Box size 165 mm	=	Element height 2.60 m
Box size 180 mm	=	Element height 3.00 m
Box size 205 mm	=	Element height 3.60 m
Max. element height 3.60 m, max. element width 4.60 m		

25 % smaller box:

1. Front-mounted roller shutters with aluminium profile CD 150 ultra (40 mm profile), foam core, element height 2.10 m, box 205 mm
2. Qompact roller shutters with extruded aluminium Q profile = element height 2.10 m, box 150 mm **25% smaller box**



Alulux Qompact roller shutters offer increased security



Extruded aluminium Q profile, example profile no. 4

SHUTTERS



Burglary protection



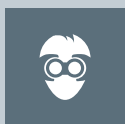
Storm tested



Sun protection



Weather protection



Privacy protection



Entry control



Additional indoor protection

Do the **CHECK**

and make sure all the critical points of your house are protected by Qcompact roller shutters:

Check 1: Patio door secured?

Check 2: Basement door secured?

Check 3: Side entrance door secured?

Check 4: Access to loggia, garden shed secured?

Check 5: Windows secured?



Advantages

- Small extruded roller shutter box
- Effective burglary protection
- Impact resistant, shockproof
- Storm tested
- Secured by a motor brake against being forced open
- Motor operated as standard

Facts

- Unique winding properties of the roller shutter - very tight winding, resulting in an unobtrusive box
- Fully extruded system; optimum security, strong material
- Powder coated surface; best surface and weather protection.
- Secured via Q-XL security side locking; against being levered out of the lateral guide channel
- Sealed and punched profiles can be combined; offering great visual diversity

ALULUX[®]

www.alulux.com